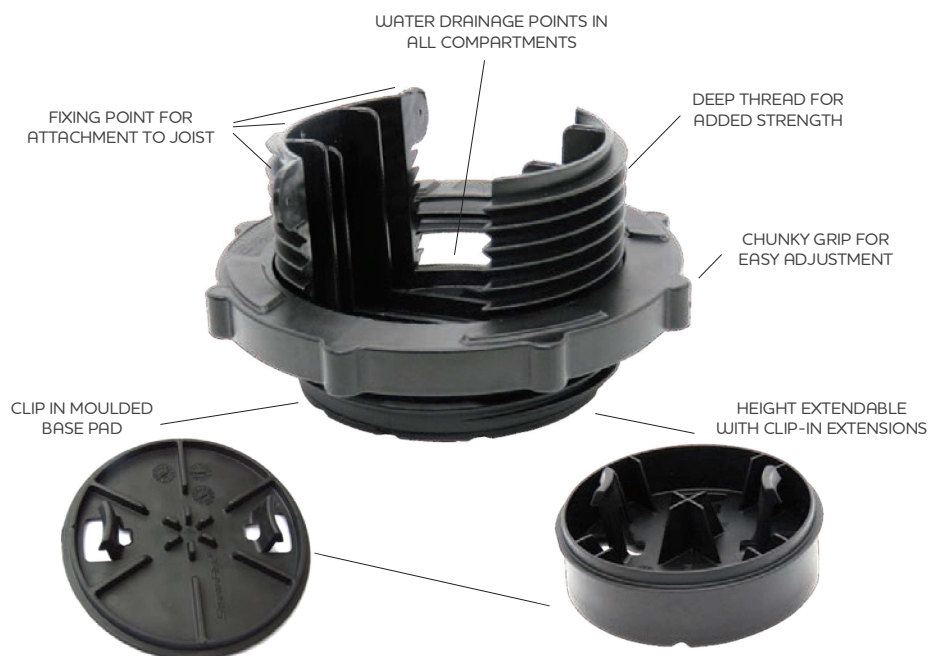


FLEXI-LEVEL 1250 SUPPORT CRADLES

FOR 50mm (2") FLOORING & DECKING JOISTS - 12mm to 50mm

The new Rubbertech Flexi-Level Decking and Flooring Support Cradle System has been specially developed to replace and improve upon the original Rubbertech V1 Cradle, which forged a position as an industry leader offering the following advantages:

- Easier and quicker to use and adjust. The adjuster ring has been redesigned to provide easy handling.
- The thread has been changed to provide extra strength, prevent cross-threading and to allow faster adjustment.
- There is now a provision for fixing the cradle to the joist after adjustment, if desired, to allow lifting of the joists to insert interim supports, etc. without losing the cradle position and level.
- The new cradle now has drainage outlets in all compartments so water cannot collect and become stagnant. Effectively raises beams above the substrate surface, preventing saturation and reducing potential for rotting.
- A new, clip-in, moulded acoustic base pad, supplied as standard with every cradle, provides cushioning and protection when used on top of membranes – it incorporates water drainage channels.
- Unlike the previous product, which was only adjustable from 10 to 40mm in height, the height range can be increased by using one or more, optional, clip in 20mm high extenders. The adjustability range of 12mm to 50mm can be increased to 32mm to 70mm with one extender, to 52mm to 90mm with two extenders, etc.
- The new Flexi-Level support cradle is rated for an average maximum load of 16.3kN/m² (1,662 kgf/m²) using a minimum of 6 supports per square meter.



FLEXI-LEVEL 1250 SUPPORT CRADLES

FOR 50mm (2") FLOORING & DECKING JOISTS - 12mm to 50mm

StrataRise® Flexi-Level Joist Support Cradles are purpose designed to provide a secure, stable, time-saving and economical system which can be used for joist mounting and levelling. The system is ideal for low-rise floors or decking on balconies, patios and roof terraces. The cradle is also ideal for supporting and raising floors in buildings - eliminating the need for levelling screeds before floor laying can start. The recycled plastic body is designed to support standard 2" Joists, keeping them off the concrete base, roof deck or balcony/patio surface and away from water or drainage areas when used externally.

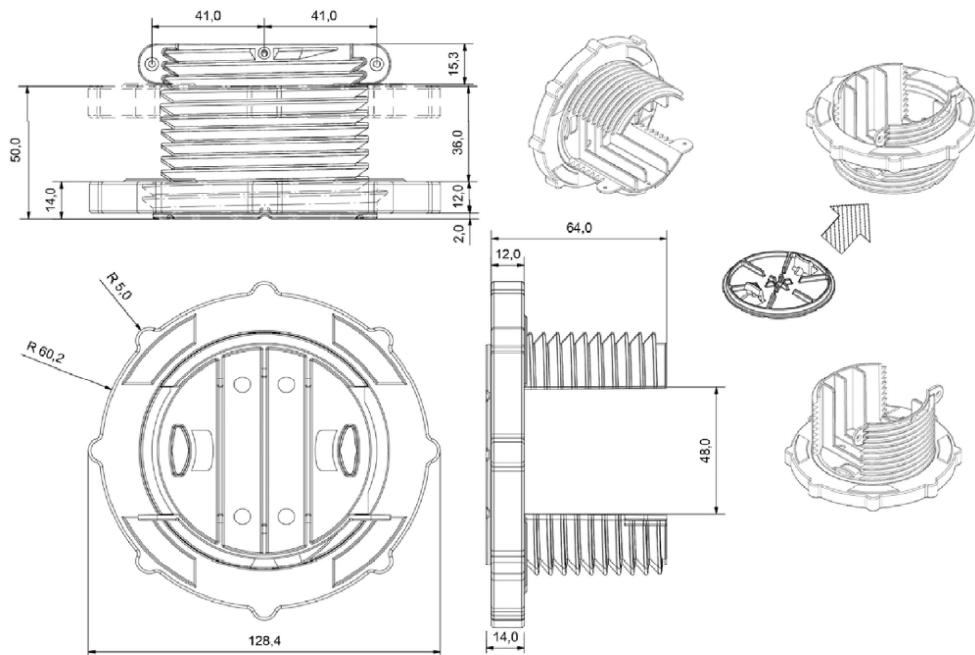
INSTALLATION

We recommend a minimum distribution of 6 to 8 supports per square meter, with joists placed at 400mm to 500mm centres.

Load capacity can be increased by using additional supports. When installing heavy, pre-built joist frameworks, take care not to overload any single point of support during initial levelling. This can be avoided by using support wedges or jacks to reduce the weight at corners until the required distribution of supports are in place and adjusted.

The cradles are ideal for supporting and levelling:

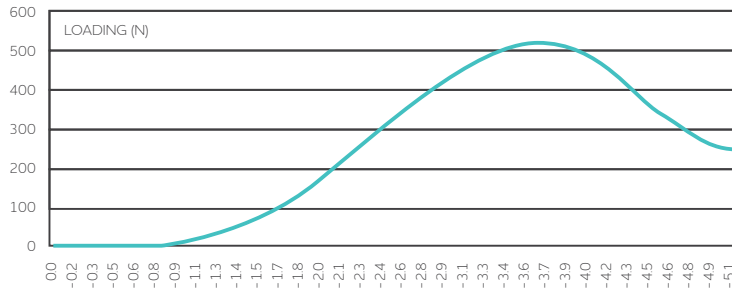
- Internal Floors
- Roof Decks
- Patio Decks
- Balconies
- Sheds



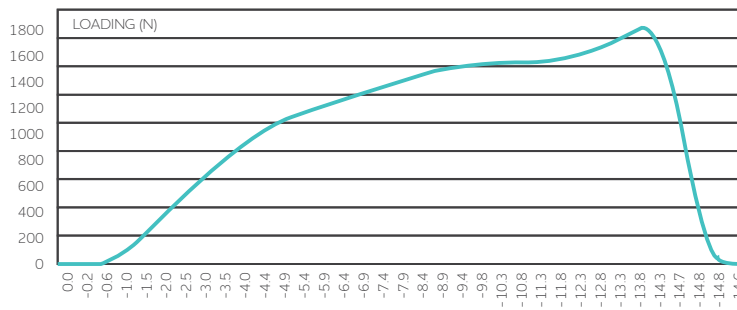
FLEXI-LEVEL JOIST SUPPORT - LOADING TESTS

A series of loading tests have been conducted on the Flexi-Level 1250 Support Cradles to establish the load bearing capability and failure points. An original Rubbertech Cradle, later Ryno, was used as a benchmark.

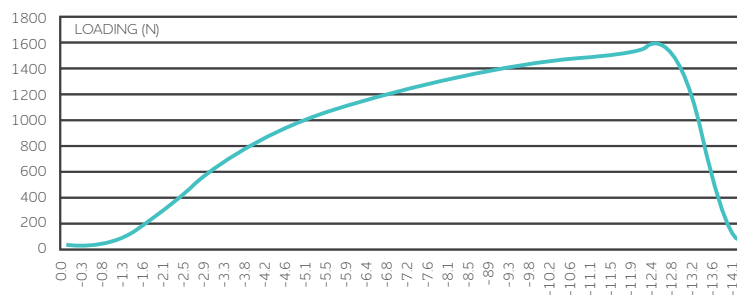
ORIGINAL RUBBERTECH - 1ST GENERATION CRADLE



STRATARISE FLEXI-LEVEL 1250 - TEST 1 - 2ND GENERATION CRADLE



STRATARISE FLEXI-LEVEL 1250 - TEST 2 - 2ND GENERATION CRADLE



	Test 1	Test 2	Median
1st Generation Original Cradle	522 N	-	522 N
StrataRise3 1250 Flexi-Level	1691 N	1581 N	1636 N

